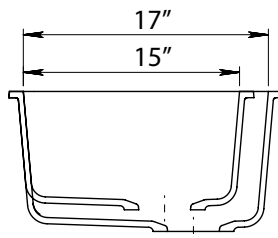
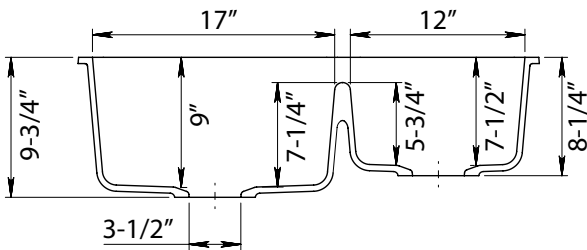
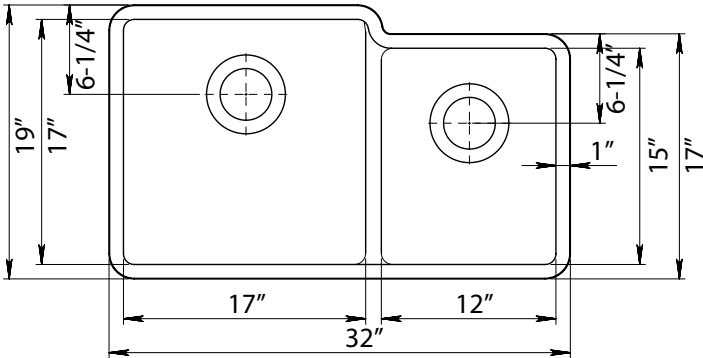




# GSE-QC6040LD

UPC:



### Style:

- Kitchen Sink
- 60/40 Double Bowl
- Undermount

### Material:

- Quartz Composite

### Size:

- Overall: 32" x 19"
- Bowl Depth: 9-3/4" | 8-1/4"
- Drain Diameter: 3-1/2"

### Features:

- Made from 80% quartz, only diamond is harder
- Durable; highly resistant to scratches and stains
- Non-porous surface, easy-to-clean
- Extremely hygienic, does not absorb bacteria
- Heat resistant to +500°F
- knockouts (ideal for traditional drop-in installations)
- PerfectFit drains for easy cleaning

### Certifications:

- Complies with ANSI Z124.6-2007
- Complies with EN 13310:2003

### Warranty:

- Lifetime Limited Warranty



### Available Color/Finish



B - Beige (Shown)

C - Concrete

K - Black

M - Mocha

W - White

### Available Accessories (Not Included):

- Bottom Grid(s)
- Color Matched Basket Strainer
- Color Matched Disposal Flange